



## Dow Performance Silicones

# DOWSIL™ 500 Fire Rated Sealant

Fire-rated silicone sealant for wall and floor openings



Meets CAN/ULC-S 115  
ULTRALOW-MODULUS  
SILICONE SEALANT

- Suitable for new and remedial construction joints
- All-temperature gunnability
- Low odor
- Low VOC content; LEED-compliant



Suitable for openings in walls and floors, DOWSIL™ 500 Fire Rated Sealant is ideal for fire-rated applications between walls and stairways, even in wide joints.

### Silicone performance for fire-rated joint applications

New DOWSIL™ 500 Fire Rated Sealant is designed to help prevent the spread of fire through wall and floor joints – while providing the high performance of silicone sealants.

### Proven silicone performance

There's no need to sacrifice performance to meet fire codes – DOWSIL™ 500 Fire Rated Sealant exhibits excellent sealant performance, even in building joints that experience extreme movement. The sealant offers excellent weathering properties and resistance to sunlight, rain, snow and temperature extremes.

### Fire rating

DOWSIL™ 500 Fire Rated Sealant meets the requirements of ULC S115, with fire ratings up to 4 hours in properly designed joints.

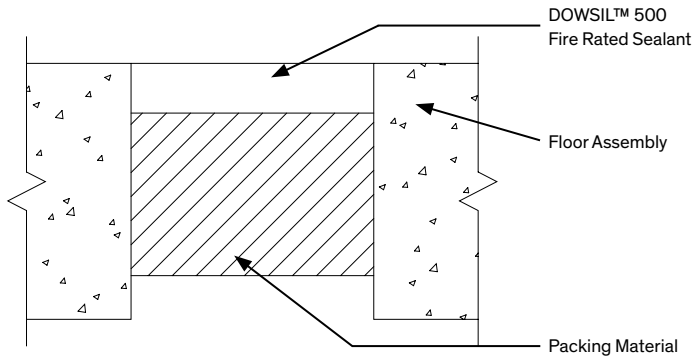
### Easy application

Offering unprimed adhesion to masonry and concrete substrates, DOWSIL™ 500 Fire Rated Sealant is easy to apply over a wide temperature range and can be used in cold-weather applications without heating or mixing. The sealant is consistent; does not sag or slump; and remains flexible, not hardening in cold weather.

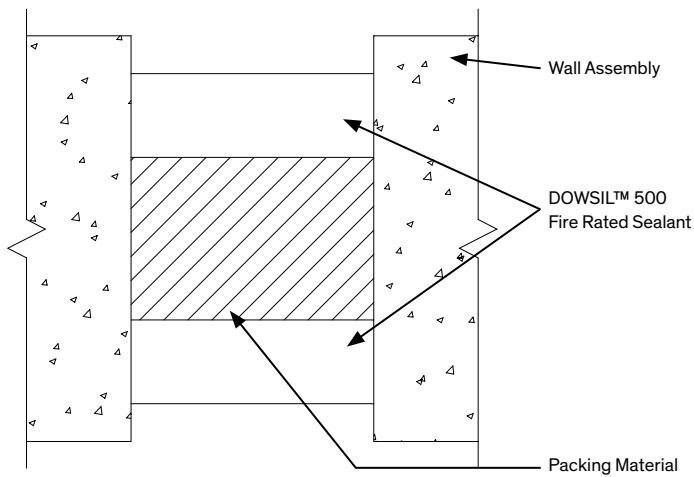
**Table 1. ULC S115 – DOWSIL™ 500 Fire Rated Sealant for use in firestop systems described in the Products Certified for Canada Directory.**

System No.	Fire Rating, hours			
	F	FT	FH	FTH
C-BJ-0003	4	3	4	3

**Figure 1. Vertical Section**



**Figure 2. Horizontal Section**



## Contact us

Dow is collaborating with construction industry professionals around the world to help develop solutions that meet their needs. Learn more about our full range of High Performance Building Solutions, including service and support, at [consumer.dow.com/construction](https://consumer.dow.com/construction).

Dow has sales offices, manufacturing sites, and science and technology laboratories around the globe. Find local contact information at [consumer.dow.com/contactus](https://consumer.dow.com/contactus).

Images: dow\_41958708958, dow\_43184096674

### HANDLING PRECAUTIONS

PRODUCT SAFETY INFORMATION REQUIRED FOR SAFE USE IS NOT INCLUDED IN THIS DOCUMENT. BEFORE HANDLING, READ PRODUCT AND SAFETY DATA SHEETS AND CONTAINER LABELS FOR SAFE USE, PHYSICAL AND HEALTH HAZARD INFORMATION. THE SAFETY DATA SHEET IS AVAILABLE ON THE DOW WEBSITE AT [WWW.CONSUMER.DOW.COM](http://WWW.CONSUMER.DOW.COM), OR FROM YOUR DOW SALES APPLICATION ENGINEER, OR DISTRIBUTOR, OR BY CALLING DOW CUSTOMER SERVICE.

### LIMITED WARRANTY INFORMATION – PLEASE READ CAREFULLY

The information contained herein is offered in good faith and is believed to be accurate. However, because conditions and methods of use of our products are beyond our control, this information should not be used in substitution for customer's tests to ensure that our products are safe, effective and fully satisfactory for the intended end use. Suggestions of use shall not be taken as inducements to infringe any patent.

Dow's sole warranty is that our products will meet the sales specifications in effect at the time of shipment.

Your exclusive remedy for breach of such warranty is limited to refund of purchase price or replacement of any product shown to be other than as warranted.

**TO THE FULLEST EXTENT PERMITTED BY APPLICABLE LAW, DOW SPECIFICALLY DISCLAIMS ANY OTHER EXPRESS OR IMPLIED WARRANTY OF FITNESS FOR A PARTICULAR PURPOSE OR MERCHANTABILITY.**

**DOW DISCLAIMS LIABILITY FOR ANY INCIDENTAL OR CONSEQUENTIAL DAMAGES.**

®™ Trademark of The Dow Chemical Company ("Dow") or an affiliated company of Dow

© 2018 The Dow Chemical Company. All rights reserved.

30023848

Form No. 63-6160-01 A